

High Bay

The HB100 High Bay industrial light is a robust, powder coated and cost effective lighting solution suitable for manufacturing spaces, warehousing, workshops and assembly lines.

HB100 PIR Sensor now available to pre order.



HB100 Series

**HB100 available
as 100W, 120W,
150W and 200W.**



- Robust diecast aluminium construction with durable powder coated finish
- 120° optic standard
- Optics available 50° and 90°
- LED lifespan 50,000 hours L70
- IK10 impact rated
- Hook mountable



On/Off PIR

To order, please call Lumineux Sales on
01507 328031

Lines open : Monday - Thursday 8.00am - 5.00pm, Friday 8.00am - 3.00pm

OFFER ENDS 30th APRIL 2019

High Bay

On/Off PIR sensor

Benefits

The On/Off PIR mounts to the HB100 to provide an on/off motion sensor.

All control parameters are adjustable via a IR remote or by DIP switch.

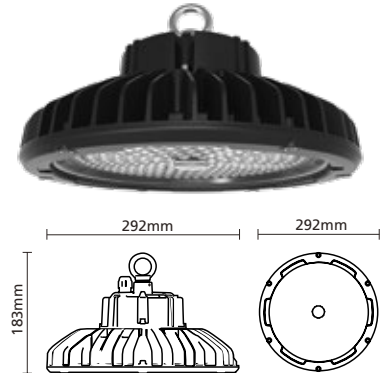
Features

- Time delay from 5 to 30 minutes
- PIR sensor can be mounted up to 10m
- IP44 rated
- Remote control available. (Sold separately)
- High in-rush stability zero crossing circuitry for reliable, long-life operation
- latching relay is durable for all load

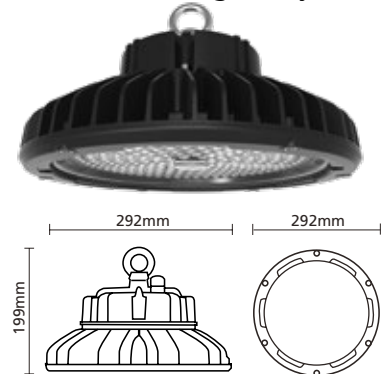


Remote available to order.

100W High Bay

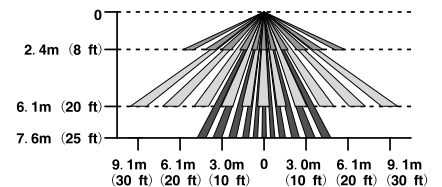


200W High Bay

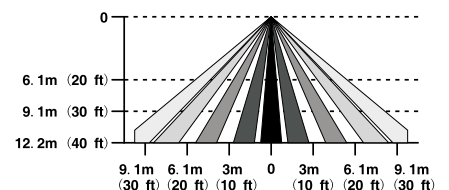


Part No.	Model	Watts	Lumens	Kelvin
401252-120	LED High Bay	100W	11500	5000K
401253-120	LED High Bay	120W	13800	5000K
401254-120	LED High Bay	150W	18000	5000K
401255-120	LED High Bay	200W	24000	5000K

Low Bay 360° PIR detection



High Bay 360° PIR detection



Options	Code	Description
	-PIR	PIR Sensor
	-50	High Bay 50 Degree Optics
	-90	High Bay 90 Degree Optics
	401755	PIR Remote

All High Bays in stock for immediate despatch.

Please Note: Please contact your Account Manager for lead time on the PIR Sensor

OFFER ENDS 30th APRIL 2019